

Digital dental imaging

# IT'S ALL ABOUT EASE, EVERY SCAN, EVERY SMILE

Enhancing your workflows  
through innovation





# x-mind ac    x-mind dc

## Experience intuitive excellence

Designed to simplify daily operations, prioritize patient safety and enhance dental workflows, ACTEON X-MIND DC is the perfect choice for the modern dental professionals.

X-MIND DC makes a step further in the direction of user friendliness: its compact control unit clearly integrates pre-programmed keys combining tooth icons with pre-set exposure settings: patient type, kV, mA, time and receptor type.

## Available with Remote Wireless Control



### No more wiring issues

Say goodbye to the complicated and expensive wiring work traditionally needed to connect the remote button in your practice.



### Cost effective

Save on installation expenses with the easy-to-integrate wireless solution.



### Enhanced convenience

Enjoy the freedom and flexibility of a wireless connection, making your practice more efficient and user-friendly.



for X-MIND DC only

# Oustanding versatility

Built to withstand daily wear and tear, the arm adapts easily and flexibly to your clinic's unique layout.

- the three arm extensions (40, 80, 110 cm)
- multiple configurations available (top or bottom wall mounted, dental unit, ceiling and mobile version)
- three different cone length
- 2 heads, 1 timer (possibility, with 1 timer, to control two AC or DC models with the relevant specific command options)



Top mounted




Everything on X-MIND DC have been engineered with one goal in mind: **adapt to your needs.**

Bottom mounted




Mobile version






**Long cone (31 cm - 12")**  
Recommended for the parallel technique



**Short cone (20 cm - 8")**  
Recommended for bisector technique



**Rectangular Long cone (31 cm - 12")**  
Reduces the X-rays applied to the patient's skin by 50%.



## Long-lasting quality and safety

X-MIND DC encloses, in a light and compact design, ACTEON's years of experience in the design of technologically advanced and reliable solutions in the field of dental radiology.

Operating at high frequencies, the DC technology facilitates the emission of very high quality radiation, while the control software automatically compensates for variations in main voltages so eliminating harmful soft rays. The result is a high standard of image quality and safety for the patient.

## Clinical case with digital sensors\*

### 1. Initial situation

Secondary caries on 46



### 2. Root Canal treatment

File inside the tooth



Filling with gutta-percha



\* Images from SOPIX Series sensors - ACTEON





X-  
mind.

**Compact and essential design**

available in two versions :

- DC (High Frequency)
- AC (Classic)



Clear and bright  
**4-digit display**

**DAP**  
display shortkey

Integrated  
extensible  
**X-Ray button**

Emission  
**security lock**  
hardware key

Easy and intuitive  
**program selection**

x-mind

acteon

# Technical specifications

	x-mind ac	x-mind dc
<b>Classification</b>	Electromedical equipment, Class 1 type B	
<b>Supply voltage</b>	115/220/230 V monophase 50/60Hz	115/230 V 50/60Hz
<b>Power absorption at 230V</b>	0.8 kVA	1.4 kVA
<b>X-ray tube voltage</b>	70 kV	60-70 kV
<b>Anode current</b>	8 mA	4-8 mA
<b>Focal spot</b>	0.7 mm	
<b>Total filtration</b>	Equivalent to 2 mm Al at 70 kV	
<b>Leakage radiation</b>	< 0.25 mGy/h	
<b>Technology</b>	AC	DC
<b>Timer</b>	from 0.08 to 3.2 seconds	from 0.02 to 3.2 seconds
<b>Weight of the head</b>	9 kg	5.5 kg
<b>Total weight</b>	28 kg	25 kg

## CONES

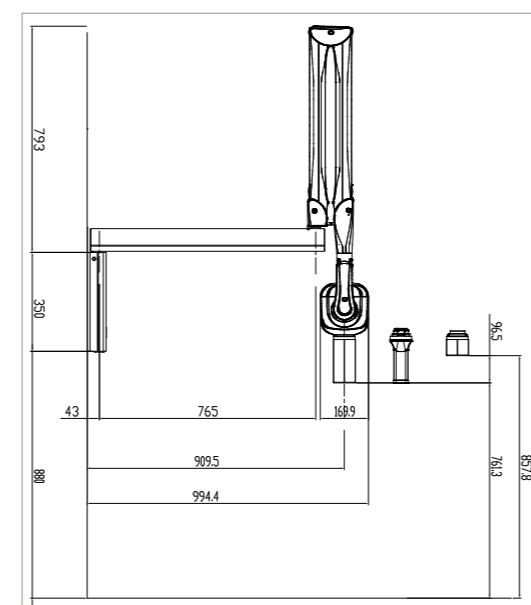
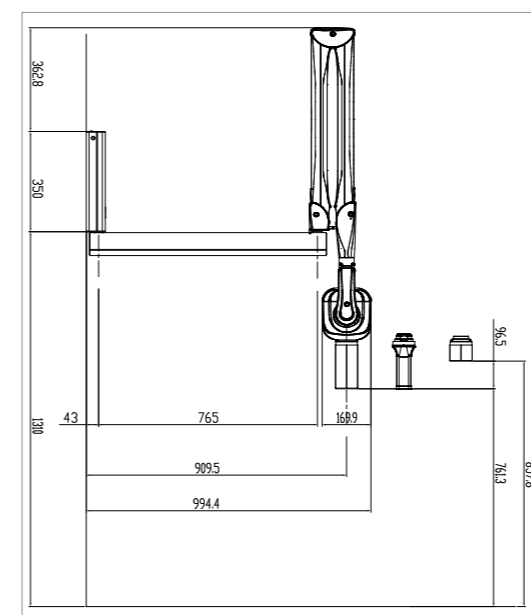
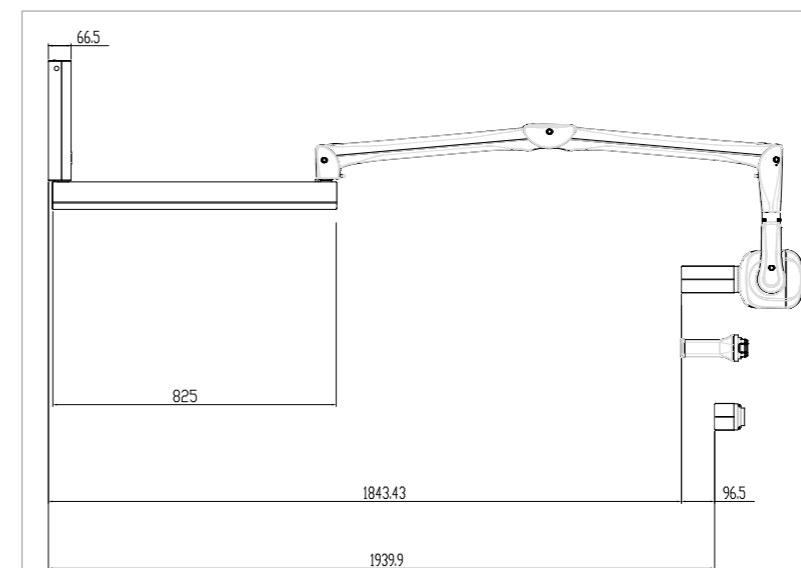
<b>Circular Long cone Ø60mm</b>	31 cm (12")
<b>Circular Short cone Ø60mm</b>	20 cm (8")
<b>Rectangular Long cone 45 x 36 mm</b>	31 cm (12")

## ARMS

<b>Wall mounting arms</b>	41 cm or 82.5 cm or 110 cm
<b>Ceiling arm</b>	Faro Ø 35 mm - length 170 cm or 130 cm
<b>Unit arm</b>	Ref. Faro Ø 60 mm or Ø 50 mm
<b>Mobile</b>	Height 110 cm, length 80 cm, width 70 cm

## ACCESSORIES

<b>Second control button with remote exposure switch</b>
<b>RX indicator light external use</b>
<b>Adaptable mounting wall plate</b>







## DE GÖTZEN

A company of ACTEON® Group

**Strada Provinciale  
Busto-Cassano n.3,  
21054 - Fagnano Olona (VA)  
Italy**

**Tel: +39 0 331 376760**

**[info@acteongroup.com](mailto:info@acteongroup.com)**

Follow-us



X-MIND® AC/DC are manufactured by De Götzen (a company of the ACTEON® group) and distributed by ACTEON®. It is a Class I medical device with type B applied parts according to the IEC 60601-1 classification. To obtain X-MIND® AC/DC registration information in your country, please refer to your local sales manager.